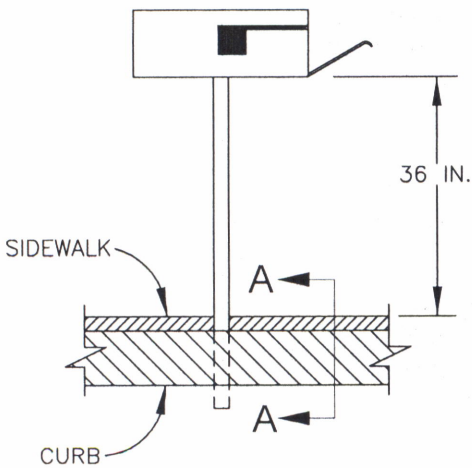
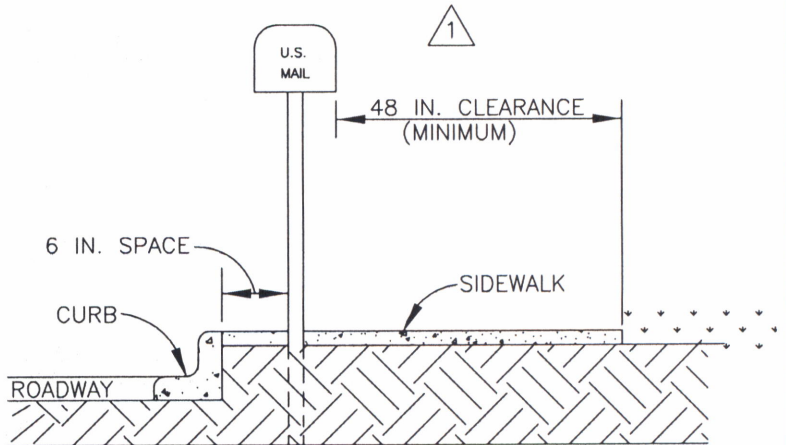


TOP VIEW




FRONT VIEW



SIDE VIEW
(SECTION A-A)

NOTE:
 REFERENCE D-318 FOR BULBOUT DETAIL

REV.	DATE
	1/21/2016

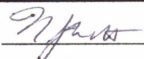
*USE SAME DETAIL FOR PAPER BOX.

CONSTRUCTION
STANDARDS

MAILBOX DETAIL*

STANDARD No. D-606 SHEET 1 OF 1

CITY OF
FARMINGTON
PUBLIC
WORKS
DEPARTMENT

APPROVED  DATE 12/20/16